



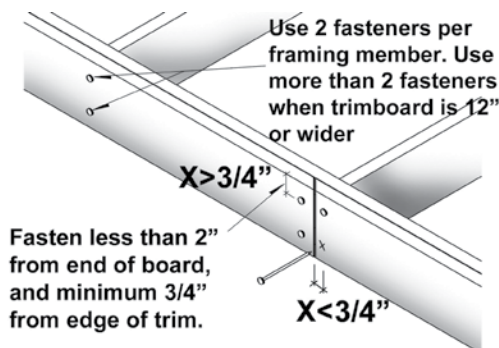
# Trim, Millwork, Beadboard & Moulding Installation Guidelines

## 1. CUTTING

- Use standard wood working equipment for cutting.
- Carbide tipped blades are recommended.
- Avoid using fine tooth metal cutting blades.

## 2. FASTENING

- Stainless steel or hot-dipped galvanized nails are recommended. Use fasteners designed for wood trim. An 8d round-head nail or #8 trim screw may be used and works well with Inteplast TRIM.
- Do not use brads, staples, wire nails, ring-shank nails or fine-threaded wood screws.
- Use two fasteners per framing member for trim board applications. TRIM of 12" or wider will require additional fasteners, not to exceed 8" o.c.
- Place nails or screws approximately 3/4" from the edges and 3/4"-2" to the end of Inteplast TRIM.



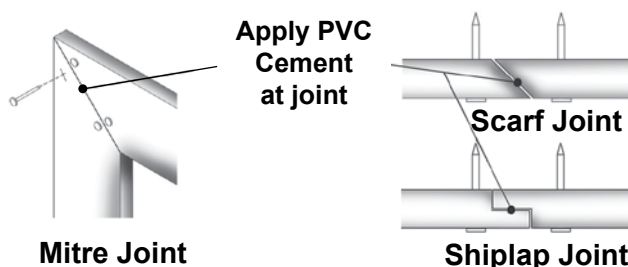
- Fasteners should penetrate into flat, solid wood substrate or framing member a minimum of 1-3/8".
- When fastening Inteplast Trim at 32°F or below, pre-drilling is required. Pre-drilling and/or counter-sinking are typically not required unless a larger fastener is used.

## 3. PAINTING

- Inteplast Trim does not require painting for protection. If painting is preferred:
  - ▶ Clean surface prior to painting.
  - ▶ Acrylic or urethane based latex exterior or interior paints are recommended. Follow the paint manufacturer's recommendations for use and compatibility. General brands such as Sherwin Williams, Glide, etc. are all suitable.
  - ▶ Avoid painting dark colors. In case of painting darker colors (LRV of 54 or lower), use vinyl-safe paints specially custom made or mixed for vinyl products.

## 4. GLUING

- Standard PVC cements or Cellular PVC cements provide a strong bond between Trim products.
- For best results, glued scarf joint or shiplap joint are required, failure to do so may result in joint separation. Glue all Trim joints such as long fascia runs, window surrounds, etc., to prevent joint separation.



- Various adhesives, such as epoxy or polyurethane adhesives may be used to bond Inteplast Trim to other substrates. Consult adhesive labeling to determine suitability.
- The glued joints should be secured with fasteners on each side of the joint.

## 5. TOUCH UP

- Recommend non-solvent base fillers such as All Purpose Painter's Putty, High Performance Wood Filler, Plastic Wood, etc.
- Clean with a damp cloth using soap and water.

## 6. DRILLING AND ROUTING

- Use standard wood working drills and routers.
- Care should be taken to avoid frictional heat build-up.
- Periodic removal of shaving from the drill hole may be necessary.
- Carbide tipped router bits are recommended.

## 7. MOISTURE

- Inteplast Trim do not absorb moisture and can be installed at or below grade.
- It is perfect for use in moisture prone applications such as ground contact, masonry contact, hot tub surrounds, frieze boards, and garage door jambs, etc.

## 8. EXPANSION & CONTRACTION

- Inteplast Trim products expand and contract with change in temperature. Allow 1/8" space per 18 feet at ends for expansion and contraction.
- Joints between pieces should be glued to eliminate joint separation — see "gluing" section.
- Properly fastening Inteplast Trim along its entire length will minimize expansion and contraction.
- When gaps are glued on long runs, allow suitable expansion and contraction space at ends of the run.
- Glued scarf joints are recommended to minimize seams and allow expansion & contraction at ends of the boards.

## 9. SPANNING

- Inteplast Trim products must not be used in load bearing applications, but may be used in spanned applications such as soffit and ceiling, with suitable thickness and support.
- Do not span Inteplast Trim exceeding 16" without following instructions below:
  - ▶ In case of spanning Inteplast Trim 16"-24", use Trim with 1" in thickness. Inteplast Trim should never span more than 24"

## 10. STORAGE AND HANDLING

- Store on a flat and level surface.
- Should be handled similar to pine, Inteplast Trim has a density comparable to pine, but more flexible.
- Keep product free of dirt and debris at job site. If product gets dirty, use warm water with detergent or soap to clean after installation.

**NOTE: Failure to comply with Inteplast PVC Trim Installation Guideline will result in voiding the warranty.**